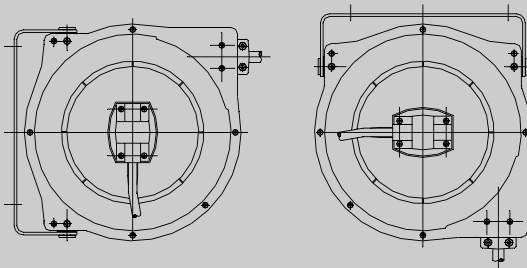
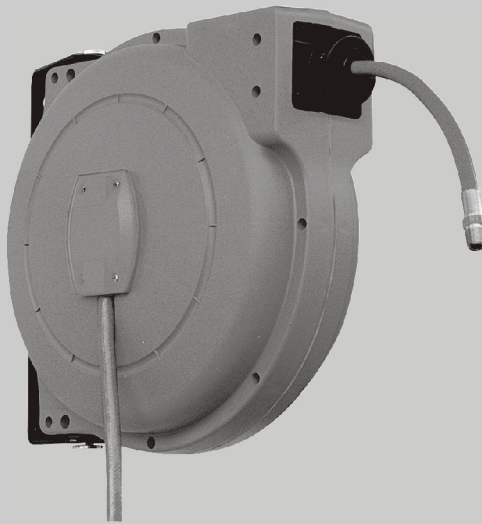




Hose Reel Series L705



Hose Reel Series L705

Specification

Item	Inlet/Outlet (Inch)	Max Pressure (Psi/bar)	PVC Hose Capacity		Media
			I.D.(inch)	Length(ft/m)	
L705102	1/4"	180/12	1/4"	33/10	Air Water
L705083	1/4"	180/12	5/16"	25/08	
L705103	1/4"	180/12	5/16"	33/10	

Low pressure reels furnished standard with PVC hose. Maximum temperature 140 F(60 C)



Figure 1

Read the following precautions and instructions before you begin assembly or using. Failure to comply with these instructions could result in personal injury or property damage. Keep these instructions in a convenient location for future reference.

Hose Reel Safety Precautions

WARNING

Exposure of skin directly to pressurized air, or fluids could result in severe bodily injury.

1. Make sure incoming line pressure does not exceed the rated operating pressure for your model hose reel.
2. Use proper eye protection when assembling and using the hose reel.
3. Use soap and water when checking for leaks.
4. Keep children away from the work area.

Installation of Reel

For overhead ceiling mounting: Install reel at least 10 feet above the floor. You will need to purchase appropriate hardware for mounting your new reel.

1. The reel base has three 10.5mm (13/32") drilled holes for mounting on a suitable flat surface. Figure 3 is a template showing the correct location of the 3 mounting holes in the base.

Hose Reel Series L705

- Using the three holes in the base, mount the reel in the desired location. Be sure to use appropriate hardware and tighten securely.
- Apply Teflon tape or pipe sealant to supply line threads, attach to reel inlet and tighten. The other end of incoming line can now be connected to desired supply source.
- Apply Teflon tape or pipe sealant to outlet fitting on reel hose, then attach to desired tool, or nozzle. Check connection for leakage, also check hose reel for correct operation. See: Operation section.
- If hose stopper adjustment is required, pull hose from reel and allow to latch at desired length. Loosen stopper bolts, and slide stopper to a position close to the hose guide. Tighten stopper bolts, and unlatch the reel

Operation

- Check reel for correct operation by slowly pulling out the hose. A "clicking" noise will be heard every half revolution of the drum.
- Pull out the hose and allow it to retract. After hearing the first second or third "click".
- Slowly pull out the hose until the "clicking" noise stops, and then let the hose retract until the hose stopper rests against the hose guide.
- Periodically check the hose condition for wear or damage, and check the swivel fitting for leakage. Replace any worn, damaged, or leaking parts.

WARNING

Do not allow hose to retract without restraining recoil speed. Never let go of the hose when rewinding. Failure to comply may result in severe injury.

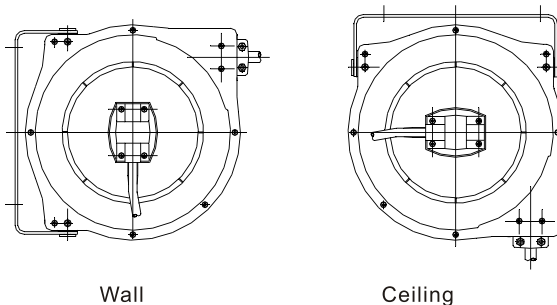
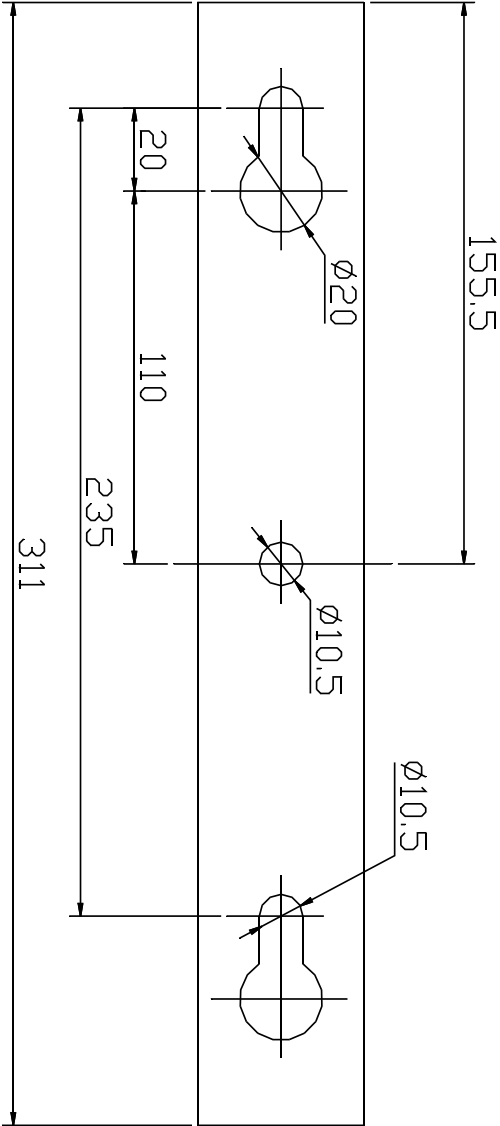


Figure 2

Hose Reel Series L705



Mounting Dimension

Figure 3

Hose Reel Series L705

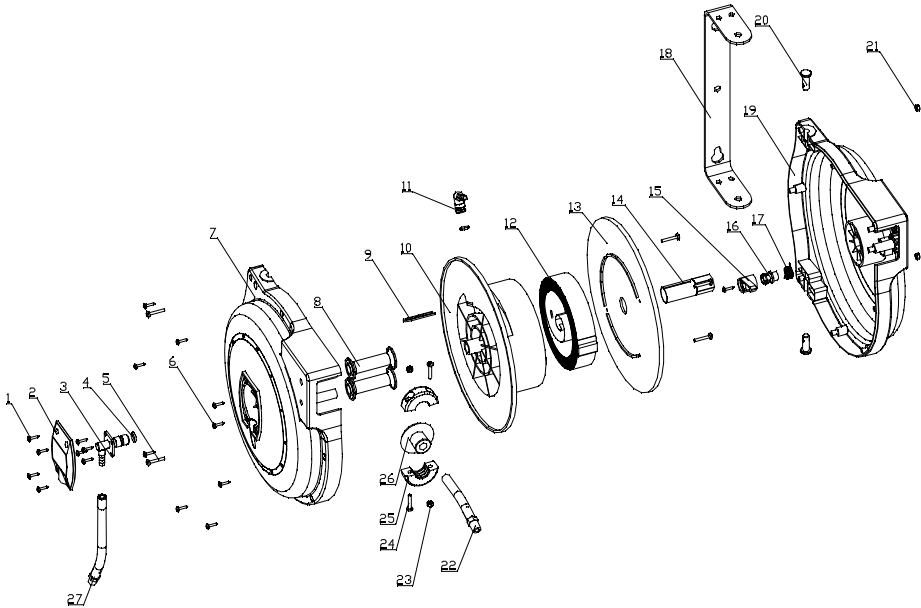
Replacement of Swivel Seals

1. Turn off the pressure origin , open the cover #2 and swivel spool #3, Remove the O-ring and replace it with the new O-ring, then reassemble the swivel spool and cover .
2. Re-connect inlet supply line. Check connections and swivel for leakage.

Limited Warranty

1. The manufacturer warrants this hose reel against defects in material and craftsmanship, for a period of 12 months from date of purchase.
2. Hose, if supplied with reel, O-rings, plastic rollers and rubber stopper are deemed to be normal wear items; not warranted.
3. Manufacturer's liability is limited to replacement or repair of defective material within the warranty period, when returned freight prepaid to the distributor or their designated service depot.
4. The warranty does not cover damage caused by accident, misuse or faulty installation.
5. The reel must be installed and maintained in compliance with the instructions.

Hose Reel Series L705



HR705 Parts List

Part No.	Quantity	Description	Part No.	Quantity	Description
1	12	Screw ST4.2 16	15	1	Ratchet Paw
2	1	Plastic cover	16	1	Ratchet Axle
3	1	Swivel Spool	17	1	Spring
4	2	O-Ring	18	1	Bracket
5	2	Bolt	19	1	Outer Casing
6	10	Screw ST4.2 19	20	2	Axle
7	1	Outer Casing	21	2	Nut
8	2	Roller	22	1	Hose
9	1	Retainer for Hose joint	23	2	Nut
10	1	Drum	24	2	Bolt
11	1	Fitting	25	2	Stop block
12	1	Spring	26	1	Rubber Stop
13	1	Drum	27	1	Hose
14	1	Axle			